

OPEN SOURCE CHANGE MANAGEMENT FOR THE IBM i

# Erادani DevOps Suite

It just works.

Version 2.2.1



## Use Git for IBM i Native Code

Use all the functions of Git, the most powerful version control tool on the planet.



## Utilize a Single, Secure Code Repository

Keep all your source code across all your platforms in one tool.



## Automate Processes

Automate Creates, Dependency Builds, Approvals, Promotions, and Deployments using popular tools like Jenkins and Azure DevOps.



## Use Your Favorite Tools

Work from green screen tools like PDM and SEU or from RDI and Visual Studio Code. Use the tools you like.

Use the Latest in Free Open Source Tools to Manage Your IBM i Development

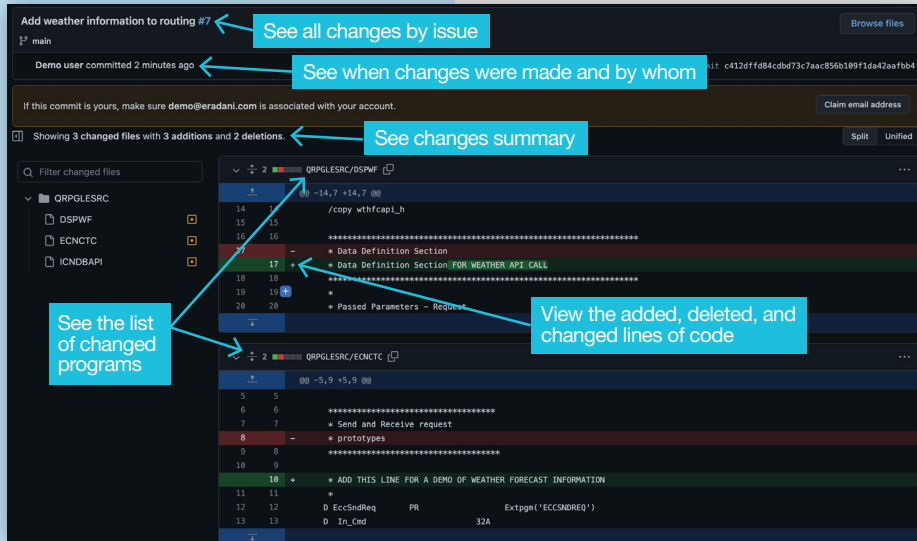
## An All-in-One Suite for DevOps

The Erادani DevOps Suite allows IBM i users to use the same powerful tools that millions of developers are using for Web, Mobile, Windows, UNIX, Linux, and Mac programming. Store and manage your code across your enterprise platforms using a single set of tools. The Erادani DevOps Suite is composed of four modules that can be installed together or as individual solutions.

- Erادani iGit for managing all of your IBM i code with Git
- Erادani iBuild for automated IBM i builds (including dependency builds)
- Erادani iExplore for performing change impact analysis
- Erادani iDeploy for deploying changes to test and production environments

## Eradani iGit

Add IBM i code to your enterprise Git-based version control by managing your RPG, COBOL, CL, DB2, and other native IBM i source with Git. With Eradani iGit, you can quickly load your IBM i code into a local IBM i Git repository or a hosted repository on GitHub, BitBucket, GitLab, or other popular Git sites. You can work on your code directly from RDi, PDM/SEU, Visual Studio Code, or other IDEs while taking advantage of the power of Git.



- Manage your IBM i code in the same repository in which you manage your open source and non-IBM i code.
- You can easily view the history of changes with just a mouse click. You can view changes by source member, task, commit (a set of related changes), application version, user, and other criteria.
- Track bug fixes and enhancements through the latest tools. View the list of IBM i objects that are changing directly inside your issue tracking system (e.g., GitHub Issues, Jira, ServiceNow, Service DeskPro, etc.) Review the non-IBM i (web, mobile, open source, etc.) changes at the same time in the same place.
- Initiate lifecycle management operations (e.g., builds, promotions, deployments, etc.) using modern tools like Jenkins and Azure DevOps.
- Automate audit compliance with comprehensive change reporting. See all change history by who made the change, when the change was made, and for what purpose.

## Eradani iBuild

Eradani iBuild identifies all object dependencies and prerequisites. It automatically discovers the create commands and options used to create objects. When changes are made, you use Eradani iBuild to automatically recreate the object that has been changed and the objects that are dependent on the changed objects. Since Eradani build functions can be executed via commands, you can easily add these build functions to your current DevOps process.

## Eradani iExplore

Use Eradani iExplore via the green screen or RDi to see what else will be affected if you change a particular object.

## Eradani iDeploy

Use Eradani iDeploy to deploy changes to target test and production libraries.



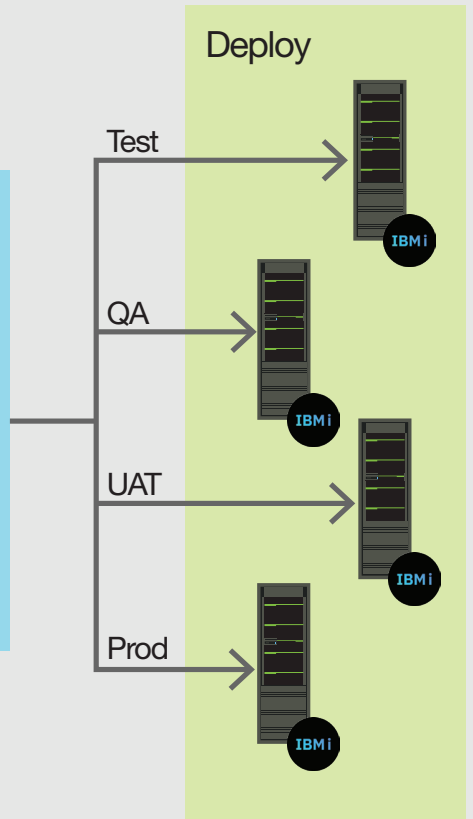
# Automate DevOps Processes by Using Open Source Tools

With the Eradani DevOps Suite, you can manage and automate your entire development process using the latest in open source tools.

Editing:  
RDi, VS Code,  
SEU

Version Control

Build

RPG, CL COBOL, DDS/DDL, Python, PHP, Java, JavaScript, .Net, and others all in one place and managed with one set of tools.



*With Eradani DevOps Suite, you have a single point of visibility and control across all of your platforms around everything that happens from the time a change request arises until you deploy the code changes into production.*

## Eradani Experts at Your Service

Eradani development experts developed the first commercial open source Node.js and Angular applications for IBM i. They have been using Git and other open source tools on the IBM i for well over a decade. They can train your users in Git best practices and answer your questions when you call.


With Eradani DevOps, get support for Open Source technologies for your IBM i from Eradani Experts.

We get you there.



 [eradani.com](https://www.eradani.com)

 [info@eradani.com](mailto:info@eradani.com)

 +1 510 324 9947

Copyright 2023 Eradani, Inc  
20230213DS-DevOps2.2.1